

FRAMED OPENINGS

GD0001 - PRE-ASSEMBLED & KNOCKDOWN WALKDOOR

GD0002 - PRE-ASSEMBLED WINDOW

GD0005 - FRAMED OPENING COVER TRIM DETAIL

GD0006 - COLUMN WRAP COVER TRIM DETAIL

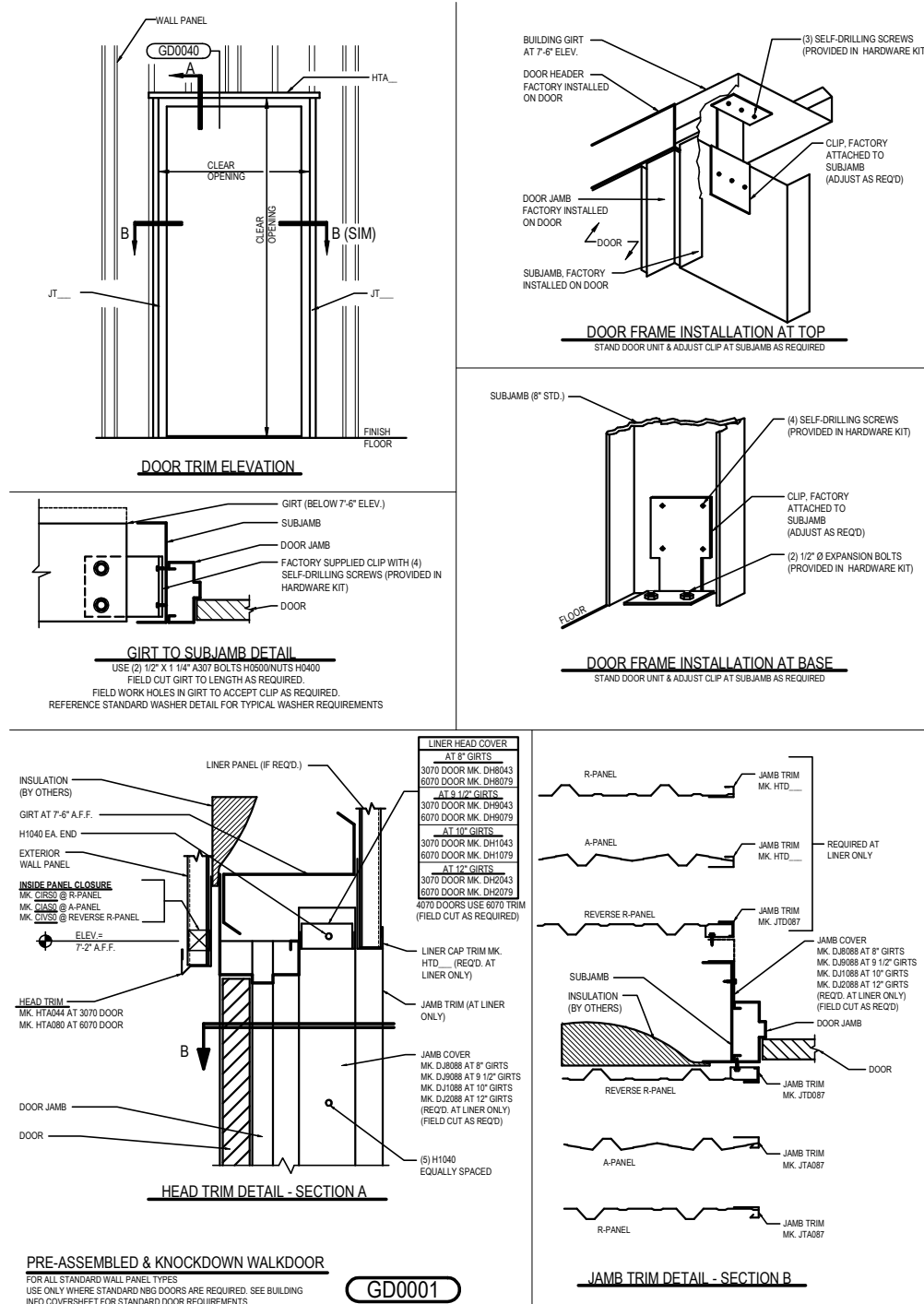
GD0040 - DOOR FRAMED OPENING TRIM DETAIL

GD0070 - WINDOW FRAMED OPENING TRIM DETAIL

GD0071 - ALTERNATE SILL TRIM DETAIL

GD0001 - PRE-ASSEMBLED & KNOCKDOWN WALKDOOR

[Download the DWG file by clicking here.](#)

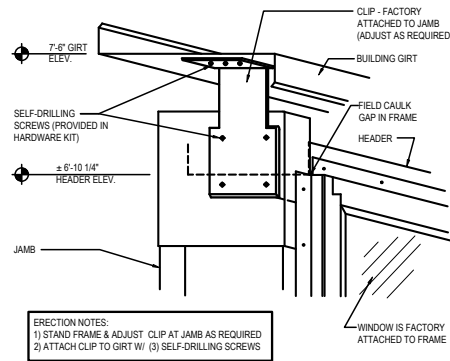
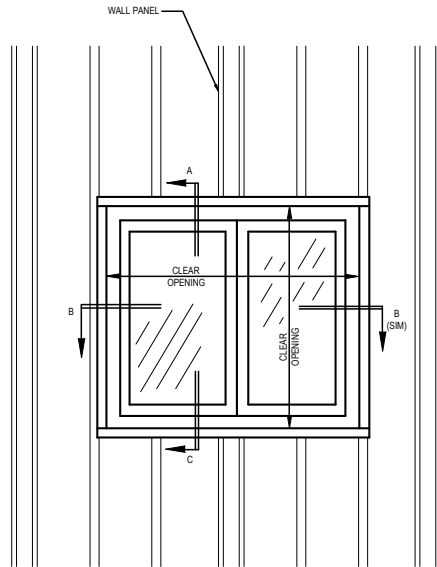


Detailer Notes:

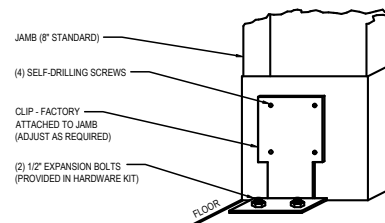
- 1) IF CLOSURES ARE ORDERED AT WALL PANEL BASE CONDITION, YOU MUST TURN ON THE CLOSURE LAYER.
- 2) ALL CONDITIONS SHOWN MUST BE DETAILED IF THE WALKDOOR IS TO BE PLACED ON EITHER A WALL WITH LINER PANEL OR A PARTITION WALL WITH SHEETING ON BOTH SIDES.

GD0002 - PRE-ASSEMBLED WINDOW

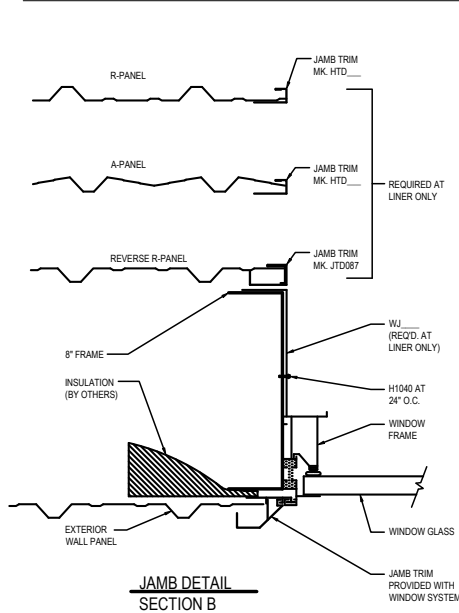
Download the DWG file by clicking [here](#).



WINDOW FRAME INSTALLATION AT TOP

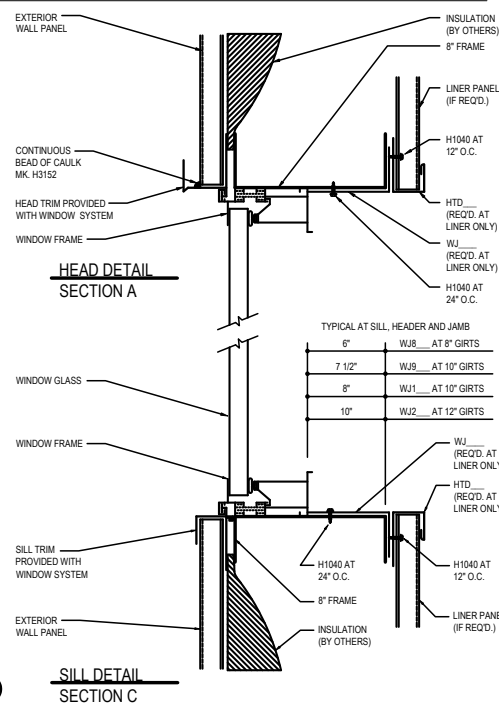


WINDOW FRAME INSTALLATION AT BASE



PRE-ASSEMBLED WINDOW
FOR ALL STANDARD WALL PANEL TYPES
USE ONLY WHERE STANDARD NBG WINDOWS ARE REQUIRED. SEE
BUILDING INFO COVERSHEET FOR STANDARD DOOR REQUIREMENTS.

GD0002

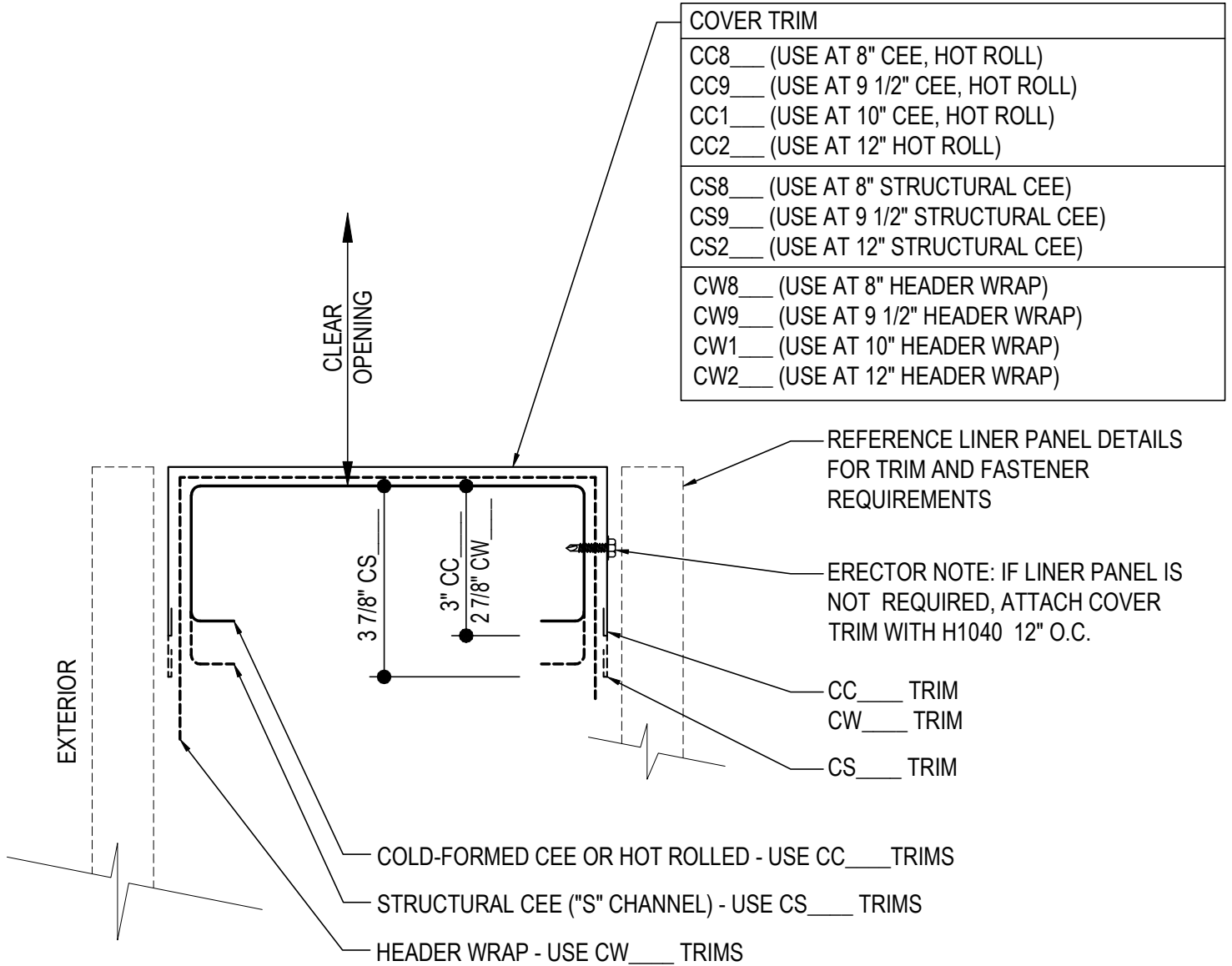


Detailer Notes:

- 1) IF CLOSURES ARE ORDERED AT WALL PANEL BASE CONDITION, YOU MUST TURN ON THE CLOSURE LAYER.
- 2) ALL CONDITIONS SHOWN MUST BE DETAILED IF THE WINDOW IS TO BE PLACED ON EITHER A WALL WITH LINER PANEL OR A PARTITION WALL WITH SHEETING ON BOTH SIDES.
- 3) BILL OUT THE CAULK AT THE HEAD TRIM WITH MANY WINDOWS AND DO NOT RELY ON OVERAGE.

GD0005 - FRAMED OPENING COVER TRIM DETAIL

[Download the DWG file by clicking here.](#)



FRAMED OPENING COVER TRIM

FOR ALL STANDARD WALL PANEL TYPES
SILL SHOWN, HEAD AND JAMBS SIMILAR

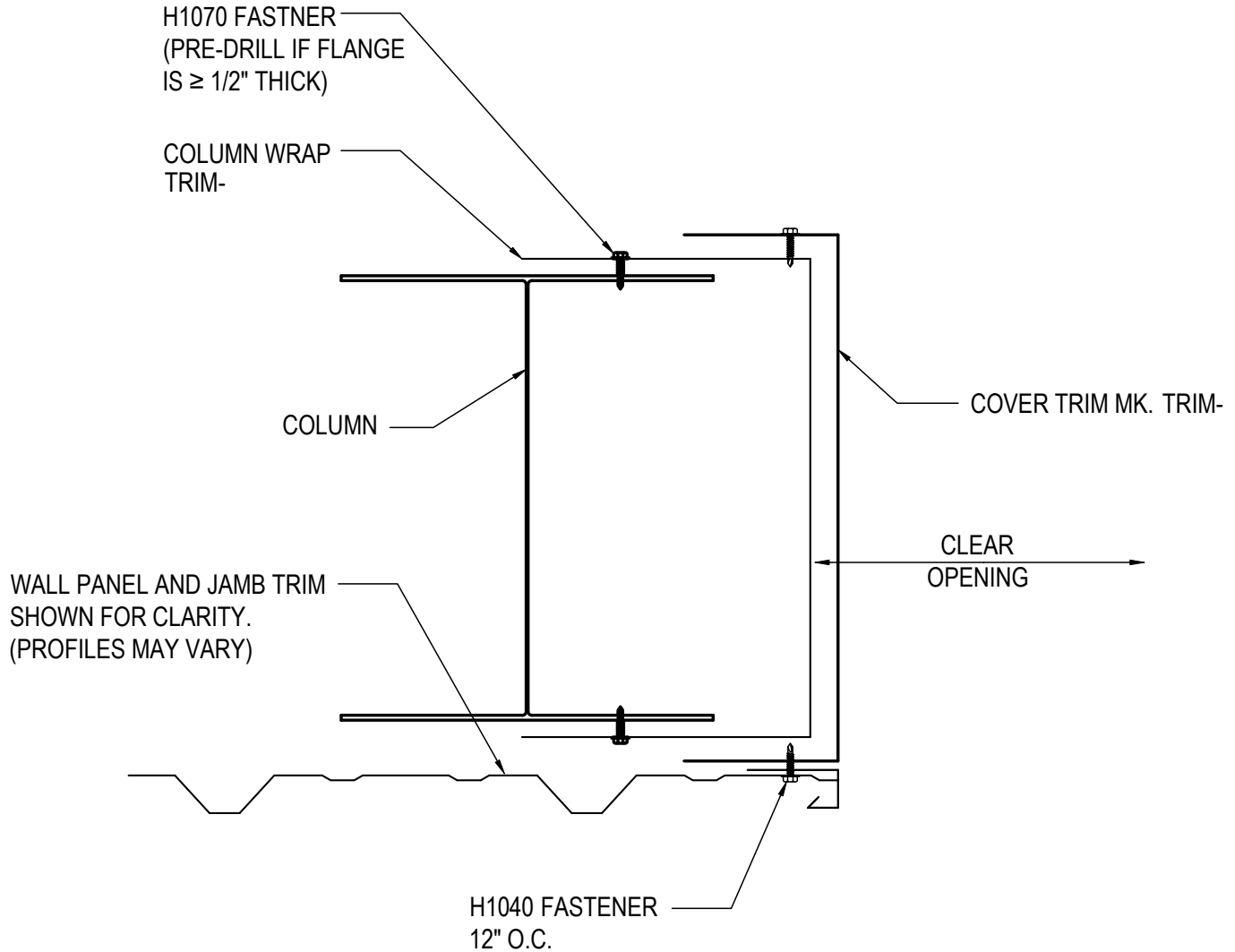
GD0005

Detailer Notes:

- 1) N/A

GD0006 - COLUMN WRAP COVER TRIM DETAIL

[Download the DWG file by clicking here.](#)



COLUMN COVER WRAP & TRIM

FOR ALL STANDARD WALL PANEL TYPES
JAMB SHOWN, HEAD AND SILL SIMILAR

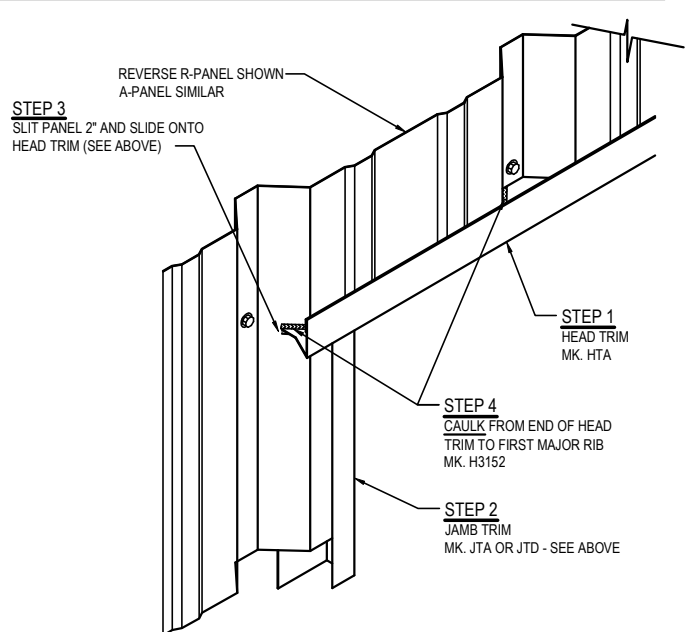
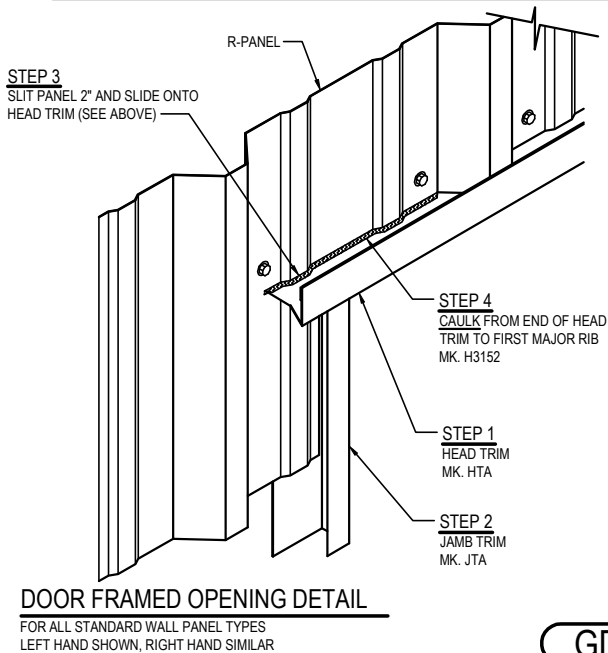
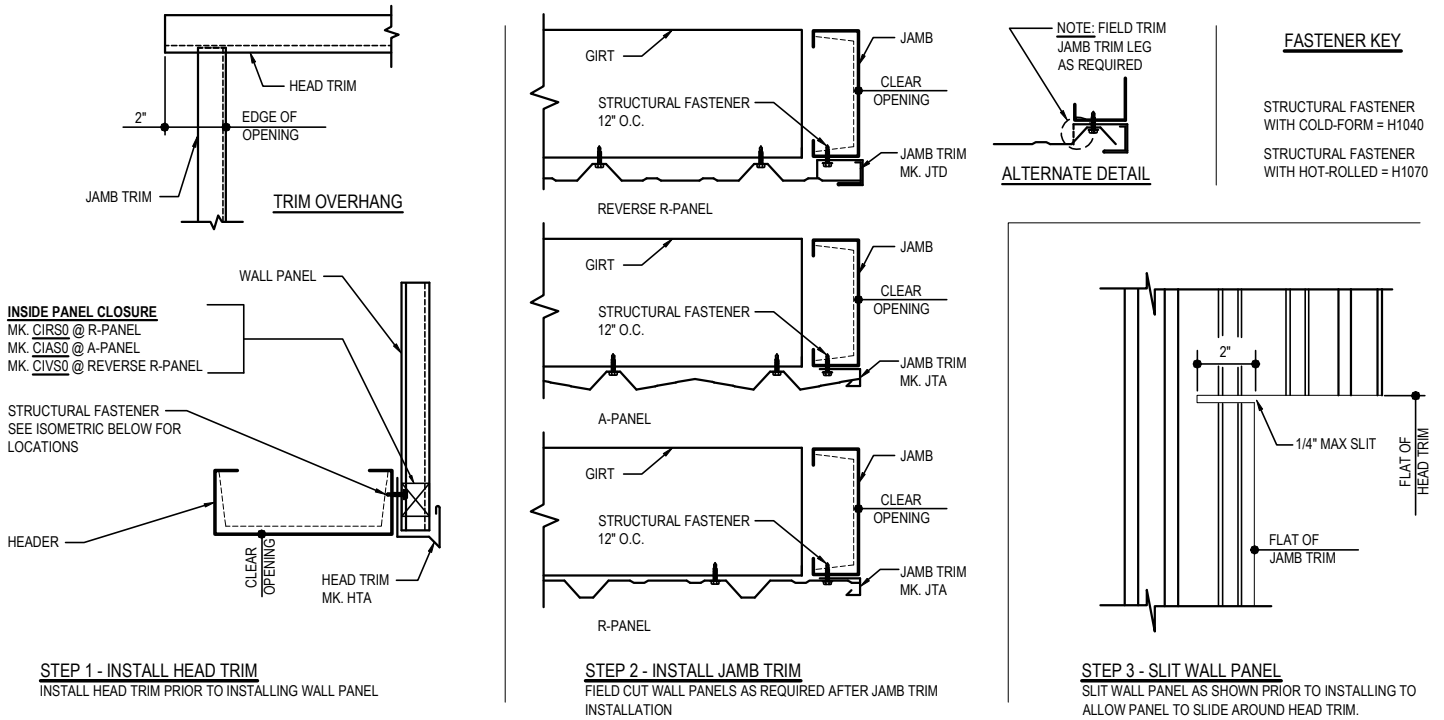
GD0006

Detailer Notes:

1) N/A

GD0040 - DOOR FRAMED OPENING TRIM DETAIL

Download the DWG file by clicking [here](#).



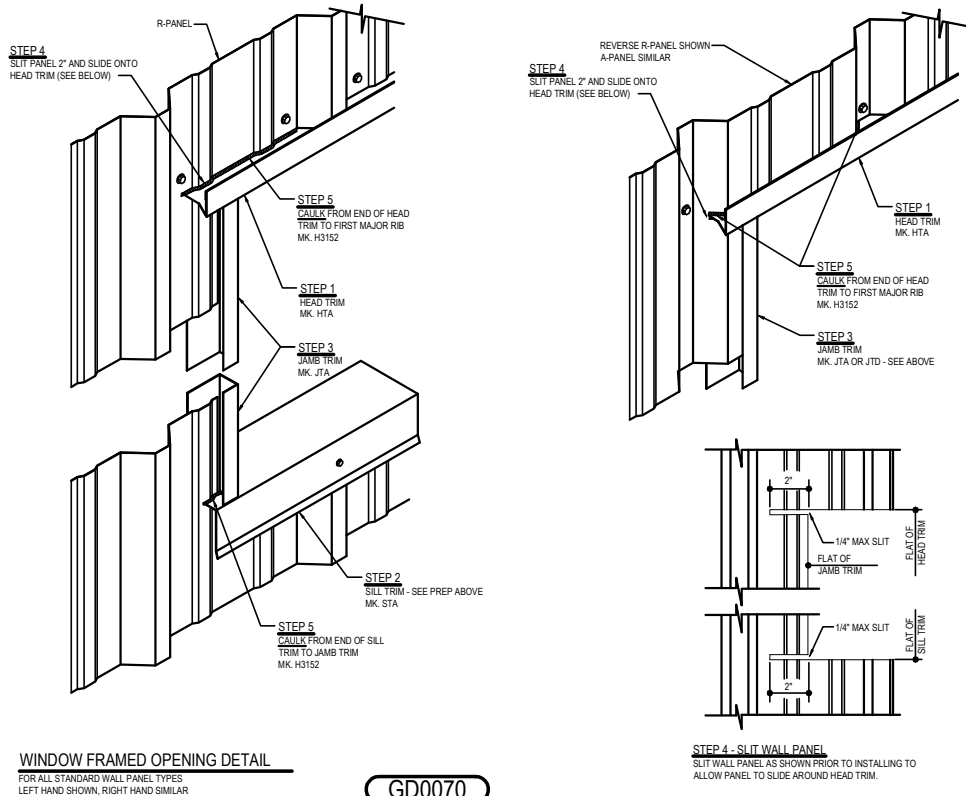
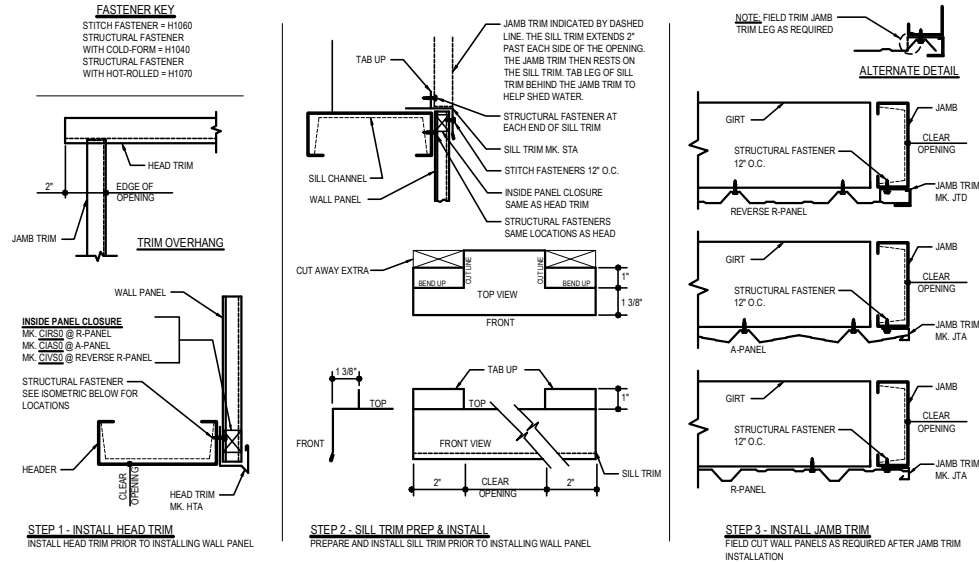
GD0040

Detailer Notes:

- 1) IF CLOSURES ARE ORDERED AT WALL PANEL BASE CONDITION, YOU MUST TURN ON THE CLOSURE LAYER.
- 2) THIS DETAIL TO BE USED AT ANY HEAD TO JAMB TRIM TERMINATION CONDITION.

GD0070 - WINDOW FRAMED OPENING TRIM DETAIL

Download the DWG file by clicking [here](#).



WINDOW FRAMED OPENING DETAIL
FOR ALL STANDARD WALL PANEL TYPES
LEFT HAND SHOWN, RIGHT HAND SIMILAR

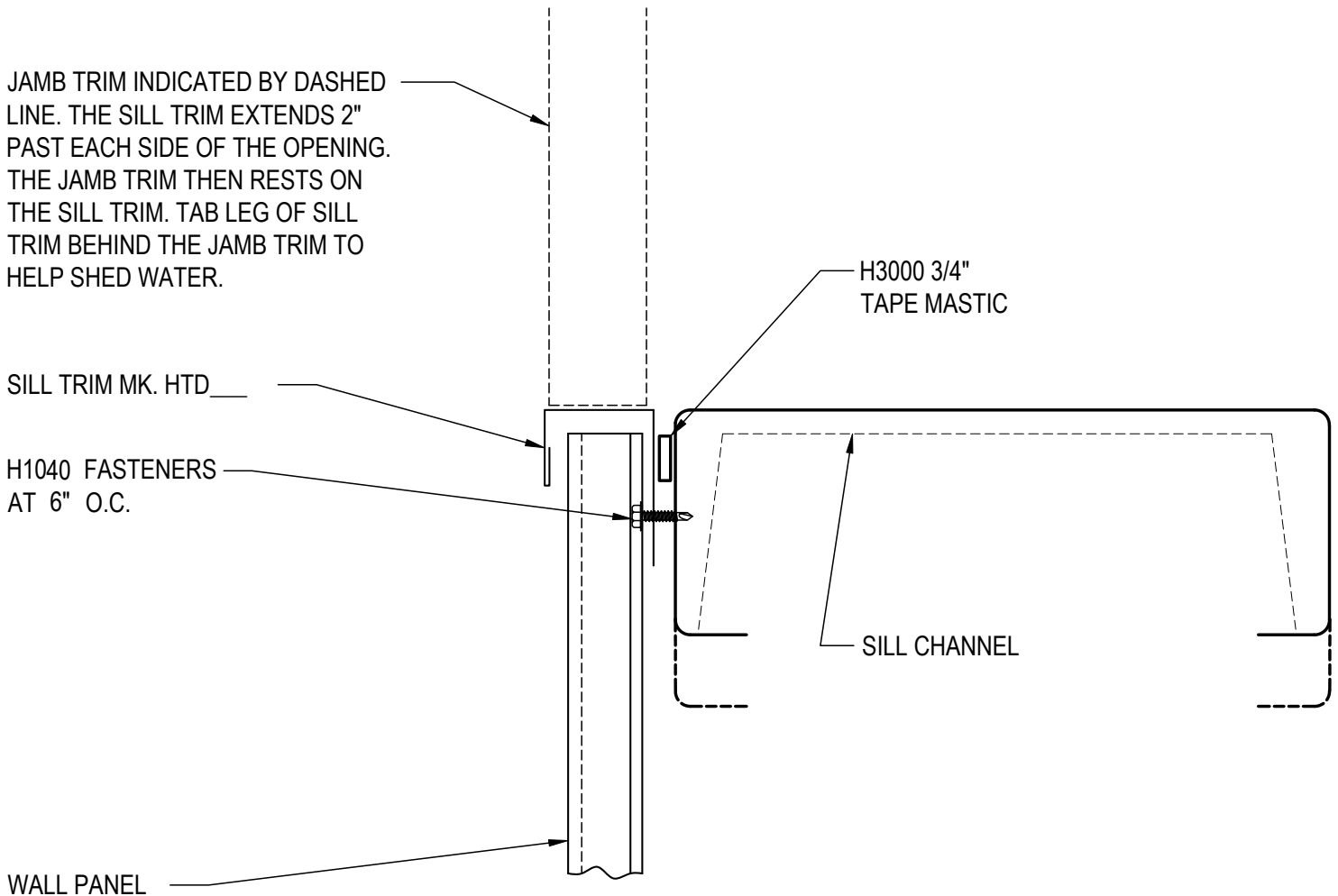
GD0070

Detailer Notes:

- 1) IF CLOSURES ARE ORDERED AT WALL PANEL BASE CONDITION, YOU MUST TURN ON THE CLOSURE LAYER.

GD0071 - ALTERNATE SILL TRIM DETAIL

[Download the DWG file by clicking here.](#)



ALTERNATE SILL TRIM DETAIL

FOR ALL STANDARD WALL PANEL TYPES
SILL SHOWN, HEAD AND JAMBS SIMILAR

GD0071

Detailer Notes:

- 1) USE THIS DETAIL ONLY IF REQUESTED BY CUSTOMER.
- 2) IF CLOSURES ARE ORDERED AT WALL PANEL BASE CONDITION, YOU MUST TURN ON THE CLOSURE LAYER.